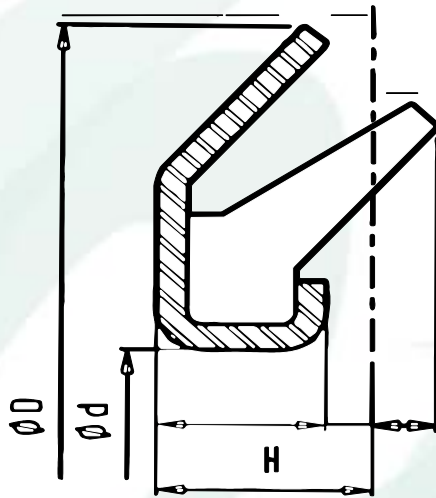


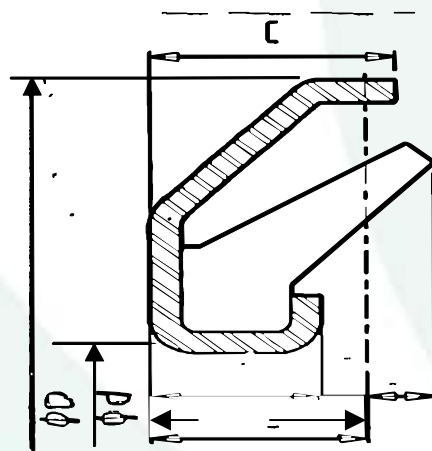
## NAK AXIAL FACE SEAL

Issue	One
Date	Nov.20,2001
Page	1 of 4

### 1) TYPE - RE



### 2) TYPE - RE 1



## NAK AXIAL FACE SEAL LIST

Issue	One
Date	Nov.20,2001
Page	2 of 4

### TYPE – RE1

PART NO.	d	D	H	C
RE1 15	15	32	4.0	6.0
RE1 17	17	34	4.0	6.0
RE1 20	20	37	4.0	6.0
RE1 25	25	42	4.0	6.0
RE1 30	30	48	4.5	6.5
RE1 35	35	53	4.5	6.5
RE1 40	40	58	4.5	6.5
RE1 45	45	63	4.5	6.5
RE1 50	50	72	5.5	7.5
RE1 55	55	77	5.5	7.5
RE1 60	60	82	5.5	7.5
RE1 65	65	87	5.5	7.5
RE1 70	70	92	5.5	7.5
RE1 75	75	97	5.5	7.5
RE1 80	80	102	5.5	7.5
RE1 85	85	107	5.5	7.5
RE1 90	90	112	5.5	7.5
RE1 95	95	117	5.5	7.5
RE1 100	100	122	5.5	7.5



MAJIMA'S  
ENTERPRISE GROUP

**NAK**

NAK SEALING TECHNOLOGIES CORPORATION

## NAK AXIAL FACE SEAL LIST

Issue	One
Date	Nov.20,2001
Page	3 of 4

### TYPE – RE

PART NO.	d	D	H
RE 10	10	24	3.5
RE 11	11	26	3.5
RE 12	12	26	3.5
RE 14	14	30	4.0
RE 15	15	30	4.0
RE 16	16	32	4.0
RE 17	17	32	4.0
RE 18	18	33	4.0
RE 20	20	35	4.0
RE 22	22	40	4.0
RE 24	24	40	4.0
RE 25	25	40	4.0
RE 26	26	40	4.0
RE 28	28	43	4.0
RE 30	30	47	4.5
RE 32	32	49	4.5
RE 35	35	52	4.5
RE 38	38	55	4.5
RE 40	40	57	4.5
RE 41	41	57	4.5
RE 42	42	59	4.5
RE 45	45	62	4.5
RE 48	48	65	4.5



MAJIMA'S  
ENTERPRISE GROUP



NAK SEALING TECHNOLOGIES CORPORATION

## NAK AXIAL FACE SEAL LIST

Issue	One
Date	Nov.20,2001
Page	4 of 4

### TYPE - RE

PART NO.	d	D	H
RE 50	50	70	5.5
RE 52	52	72	5.5
RE 55	55	75	5.5
RE 58	58	78	5.5
RE 60	60	80	5.5
RE 62	62	82	5.5
RE 65	65	85	5.5
RE 68	68	88	5.5
RE 70	70	90	5.5
RE 72	72	92	5.5
RE 75	75	95	5.5
RE 78	78	98	5.5
RE 80	80	100	5.5
RE 85	85	105	5.5
RE 90	90	110	5.5
RE 95	95	115	5.5
RE 100	100	120	5.5
RE 105	105	125	5.5
RE 135	135	159	6.5
RE 225	225	250	7.5