

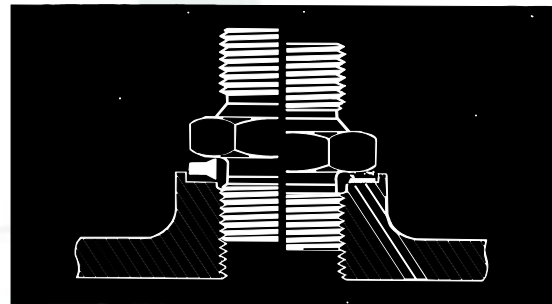


NAK BONDED SEAL

NAK bonded seal was originally designed to replace copper type washers in pressure systems. The metal ring resists the bursting forces and limits the deformation of elastomeric element.

THE KEY BENEFITS

- Reliable high and low pressure sealing
- Wide temperature capability
- Metal ring prevents over-compression and extrusion
- Full range of elastomers and metal

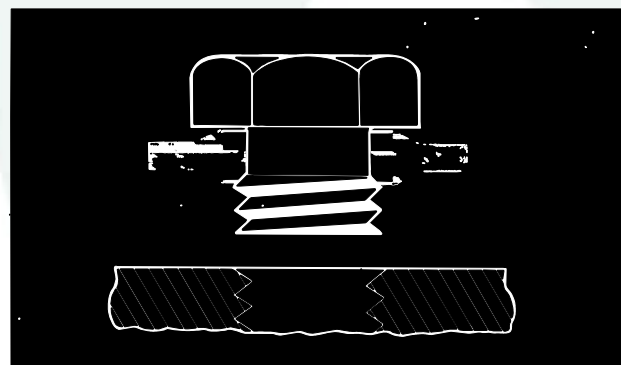


NAK SCWS (SELF-CENTRING) BONDED SEAL

NAK SCWS bonded seal is developed to eliminate the occurrence of leakage due to seal offset, this self-centring type of bonded seal has the additional benefit of pre-assembling to threads with the consequence production line saving. The thin seal membrane offers little resistance during assembly.

THE KEY BENEFITS

- All key benefits from the original bonded seal
- Concentrically Located
- Positively retained
- Ease of assembly
- Ability to pre-assemble
- Optimized component stocking





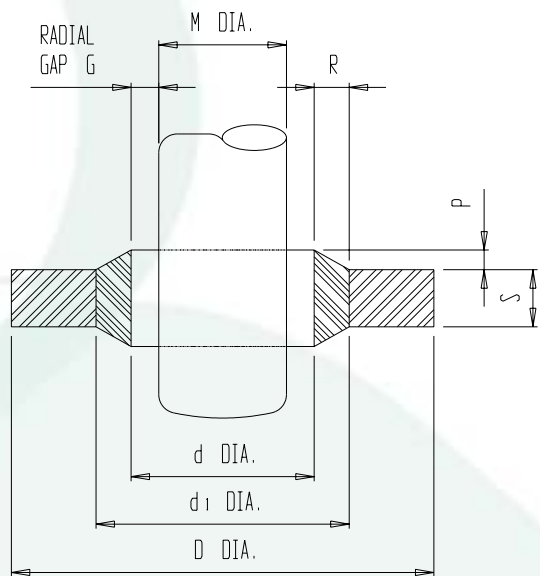
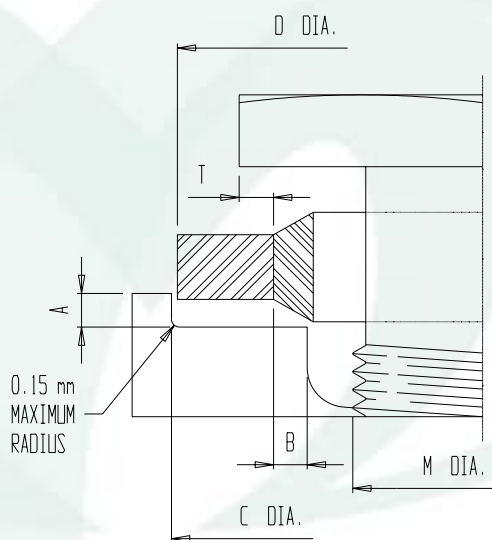
MAI JIAN'S
ENTERPRISE GROUP

NAK

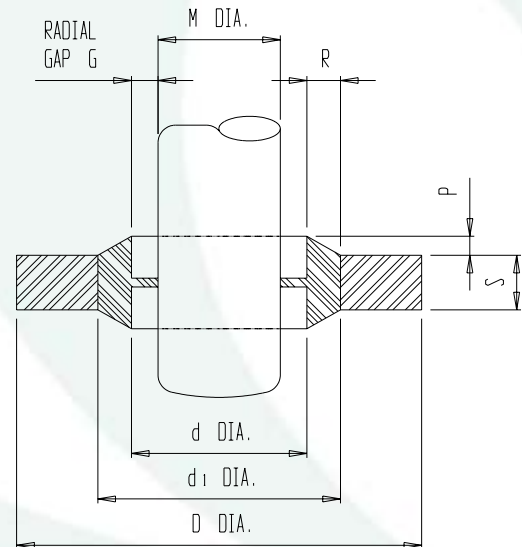
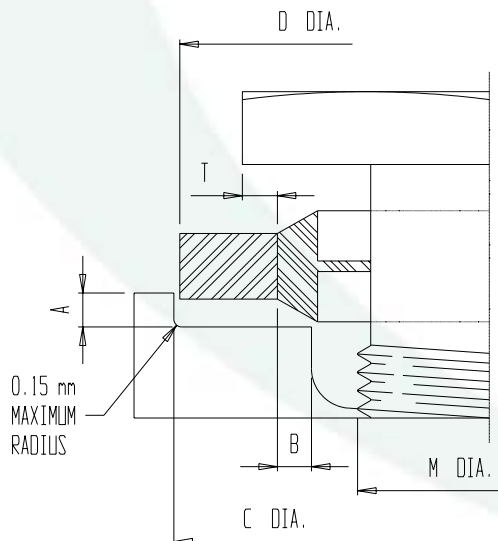
NAK SEALING TECHNOLOGIES CORPORATION

NAK BONDED SEAL

Issue	One
Date	Mar.11,1999
Page	1 of 8



NAK SCWS (SELF-CENTRING) BONDED SEAL





MAJORITY
ENTERPRISE GROUP



NAK SEALING TECHNOLOGIES CORPORATION

NAK BONDED SEAL LIST

Issue	One
Date	Mar.11,1999
Page	2 of 8

THREAD DIA. 'M'		SIZE REF		D +0.13 -0.13	'd +/-0.13	'd1 +/-0.13	S		R +/-0.13	P	RADIAL GAP G+0.07 INCH B.S.P.	
INCH	B.S.P	+									
6BA		001	1	6.35	3.05		1.22	+0.15 -0.00	0.54	0.2/ 0.38	0.13	
4BA		002	2	7.26	4.12	5.26			0.57		0.26	
2BA		003	3	8.38	5.21	6.35			0.57		0.26	
1/4		004	4	13.21	6.86	8			0.57		0.26	
1/4		005	5	13.34	6.99	9.53			1.27		0.32	
5/16		006	6	13.34	8.31	9.53			0.56		0.19	
5/16		007	7	14.22	8.64	10.04			0.70		0.35	
3/8		020	A	15.88	10.37	11.84	2.03	+0.15 -0.00	0.73	0.25/0.51	0.42	
40		008	8	18.36	11.26	12.45			0.60		0.55	
7/16		009	9	19.05	11.69	13.08			0.70		0.29	
1/2	1/4	021	B	20.57	13.74	15.21			0.73		0.52	0.29
9/16		010	10	22.23	14.86	16.39			0.76		0.29	
60		022	BB	22.23	15.83	17.30			0.73		0.30	
5/8		011	11	25.40	16.51	18.75			1.12		0.32	
	3/8	023	C	23.80	17.28	18.75	0.73	0.31				
11/16		012	12	25.40	18.16	19.69	2.34	+0.26 -0.00	0.76	0.25/0.51	0.35	
3/4		024	CC	26.92	19.69	21.21			0.76		0.32	
3/16	1/2	025	D	28.58	21.54	23.01			0.73		0.45	0.29
7/8	5/8	026	E	31.75	23.49	24.97			0.74		0.63	0.29
15/16		013	13	33.27	24.26	26.04			0.89		0.23	
1	3/4	027	F	34.93	27.05	28.53			0.74		0.82	0.30
1+ 1/16		028	FF	38.61	27.82	30.61			1.40		0.41	
1+1/8		014	14	36.58	29.33	30.86	0.76	0.38				
1+3/16	7/8	029	G	38.10	30.81	32.29	0.74	0.33	0.30			
1+1/4		015	15	41.40	32.64	35.69	3.25	+0.26	1.52	0.45		
1+5/16	1	030	H	42.80	33.89	36.88	3.25	-0.00	1.50	0.28	0.40	
1+5/16	1	031	HH	42.80	33.89	36.88	2.34	-0.00	1.50	0.28	0.40	
1+3/8		016	16	44.45	35.94	38.99		-0.00	1.52	0.51		
1+1/2		017	17	47.75	38.96	42.04		-0.00	1.54	0.43		
1+5/8	1+1/4	032	J	52.38	42.93	45.93		-0.00	1.50	0.82	0.51	

NAK BONDED SEAL LIST

Issue	One
Date	Mar.11,1999
Page	3 of 8

THREAD DIA. 'M'		SIZE REF		D +0.13 -0.13	'd +/-0.13	'd1 +/-0.13	S	R +/-0.13	P	RADIAL GAP G+0.07 INCH B.S.07.P.	
INCH	B.S.P	+								
1+3/4		018	18	57.15	45.34	48.39	3.25	1.52	0.25/0.51	0.45	
1+7/8	1+1/2	033	K	58.60	48.44	51.39		1.47		0.40	0.32
2		019	19	63.50	51.69	54.74		1.52		0.45	
2+1/8		034	L	69.85	54.89	58.30		1.70		0.45	0.57
2+1/4		035	LL	70.36	58.04	61.09		1.52		0.45	
	2	036	M	73.03	60.58	63.63		1.52		0.48	
2+1/2		037	MM	77.22	64.39	77.72		1.52		0.45	
	2+1/4	038	M	79.50	66.68	69.98		1.65		0.59	
	2+1/2	039	P	90.30	76.08	90.17		1.65		0.45	

NAK BONDED SEAL LIST

Issue	One
Date	Mar.11,1999
Page	4 of 8

TRREAD DIA 'M'	SIZE REF ***	D +0.13 -0.00	'd +/-0.10	'd1 +/-0.10	S	R +/-0.1	P +0.25 -0.00	RADIAL GAP'G' +/-0.05	
4	202	7	4.5	5.4	1	0.45	0.3	0.25	
5	203	9	5.7	6.8		0.65		0.35	
5	204	10	5.7	7.4		0.85		0.35	
6	206	10	6.7	8		0.65		0.35	
6	207	11	6.7	8.2		0.75		0.35	
8	211	13.4	8.5	9.4		0.45		0.25	
8	212	13	8.7	10		0.65		0.35	
8	213	14	8.7	10.4		0.85		0.35	
10	216	16	10.35	12	2	0.82	0.4	0.17	
10	217	16	10.7	12.4	+/- 0.1	0.85		0.35	
10	218	18	10.7	12.4		0.85		0.35	
11	220	18.5	11.8	13.7		1.5		0.95	0.4
12	222	18	12.7	14.4				0.85	0.35
12	223	20	12.7	14.4				0.85	0.35
14	227	22	14.7	16.4				0.85	0.35
16	229	24	16.7	18.4				0.85	0.35
17	230	24	17.4	19.2				0.9	0.2
18	232	26	18.7	20.4				0.85	0.35
20	233	28	20.7	22.5				0.9	0.35
22	236	30	22.7	24.4	2	0.85		0.35	
22	237	30	22.7	24.4	3	+/- 0.15		0.85	0.35
24	238	32	24.7	26.4	2	+/- 0.1		0.85	0.35
26	239	35	26.7	28.4				0.85	0.35
27	240	36	27.2	29				0.9	0.1
28	241	37	28.7	30.4				0.85	0.35
30	242	39	31	33				1	0.5
33	243	42	33.7	35.8			1.05	0.35	
36	245	46	36.7	38.8			1.05	0.35	
42	247	53	42.7	44.4			3	+/- 0.15	0.85
48	248	59	48.7	50.8	1.05	0.35			



MAI JIANG'S
ENTERPRISE GROUP



NAK SEALING TECHNOLOGIES CORPORATION

NAK BONDED SEAL LIST

Issue	One
Date	Mar.11,1999
Page	5 of 8

TRREAD DIA ' M '	SIZE REF ***	D +0.13 -0.00	'd +/-0.10	'd1 +/-0.10	S	R +/-0.1	P +0.25 -0.00	RADIAL GAP'G' +/-0.05	
3.5	201	7.2	4.1	5.2	1	0.55	0.3	0.3	
5.5	205	9.2	6.2	7.2		0.5		0.35	
6	206	10	6.7	8		0.65		0.35	
6	208	11	6.7	8.2	2.5	0.75		0.35	
6.5	209	12	7.1	8.8	1	0.85		0.3	
6.7	210	10.2	7.3	8.6		0.65		0.3	
8	214	16	8.7	10.4		0.85		0.35	
8.5	215	13.3	9.3	10.5		0.6		0.4	
11	219	16.3	11.4	12.7	1.5	+/-0.1		0.65	0.2
11	221	19.1	11.8	13.5		0.85		0.4	
13	224	20	13.7	15.4		0.85	0.35		
13	225	22	13.7	15.4		0.85	0.35		
13	315	20.1	13.8	15.2		0.7	0.4		
13.5	226	18.7	14	15.7		0.85	0.25		
15	228	22.7	16	17.78		0.89	0.5		
17.5	231	24.7	18	20.1		1.05	0.25		
21	234	28.7	21.5	23.3		2.5	+/-0.15	0.9	0.25
22	235	28	22.5	24.2		1.5	+/-0.1	0.4	0.25
23	325	32	23.7	25.4	0.85	0.35			
26	327	35.3	27	28.7	2	0.85			0.5
28	329	36	28.6	30.3	0.85	0.3			
28.5	330	37.5	29.2	30.9	0.85	0.35			
33	244	43	34.3	36.4	1.05	0.65			
39	246	51	40	41.9	2.5	0.95			0.5
51	249	60	52	54.1	3	+/-0.15			0.5
52	250	64.5	53.3	56.4					0.65
60	251	73	60.7	63					1.15
68	252	79.5	68.6	72.1			3.5	1.75	0.3
75	253	90.3	76.08	79.1	3.28		1.51	0.54	
88	254	101.48	89.09	92.1	3.25		1.5	0.54	
125	255	143.67	127	132.7	5			1	
6	305	13.27	6.85	8	1.3		+/-0.1	0.57	0.3
16.5	319	23.9	17.2	18.7	2.1		0.75	0.4	0.35



MAJORITY'S
ENTERPRISE GROUP



NAK SEALING TECHNOLOGIES CORPORATION

NAK BONDED SEAL LIST

Issue	One
Date	Mar.11,1999
Page	6 of 8

TRREAD DIA 'M'	SIZE REF ***	D +0.13 -0.00	'd +/-0.10	'd1 +/-0.10	S	R +/-0.1	P +0.25 -0.00	RADIAL GAP'G' +/-0.05
3	301	7.5	3.6	5	1	0.7		0.3
4	302	9	4.6	6	1	0.7		
5	303	10	5.6	7	1	0.7		
6	304	11	6.6	8	1	0.7	0.3	
6	306	11.4	7	8.4	1	0.7		0.5
8	307	13	8.6	10	1	0.7		0.3
10	310	17	10.7	12.1	1.5	0.7		0.35
11	312	18.1	11.8	13.2	1.5	0.65		0.4
12	313	19	12.7	14.1	1.5	0.7		0.35
14	316	21	14.7	16.1	1.5	0.7		
16	317	23	16.7	18.1	1.5	0.7		
18	320	27	18.7	20.4	2	0.85		
20	321	29	20.7	22.4	2	0.85		
22	324	31	22.7	24.4	2	0.85		
24	326	33	24.7	26.4	2	0.85		
27	328	36	27.7	29.4	2	0.85	0.4	
30	331	39	30.7	32.4	2	0.85		
33	332	42	33.7	35.4	2	0.85		
36	333	48	37	39.6	2.5	1.3		0.5
39	334	51	40	42.6	2.5	1.3		
42	335	54	43	45.6	2.5	1.3		
45	336	57	46	48.6	2.5	1.3		
48	337	60	49	51.6	2.5	1.3		



MAJORITY
ENTERPRISE GROUP



NAK SEALING TECHNOLOGIES CORPORATION

NAK BONDED SEAL LIST

Issue	One
Date	Mar.11,1999
Page	7 of 8

TRREAD DIA ' M '	SIZE REF ***	D -0.2	'd +0.2	'd1 +0.2	S	R +/-0.2	P +0.25 -0.00
1/8	510	14.7	10.4	12	1.25	0.8	0.25
1/4	511	18.7	13.85	15.75		0.95	
3/8	512	22.7	17.35	19.25		0.95	
1/2	513	26.7	21.65	23.55		0.95	
3/4	514	32.5	27.3	29.2		0.95	
1	515	39.5	34.2	36.1	2	0.95	
1 1/4	516	49.5	42.8	44.7		0.95	
1 1/2	517	55.5	48.7	50.6		0.95	
2	518	68.5	60.5	62.4	1.25	0.95	
1/16	519	12.7	8.3	9.9		0.8	

NAK SCWS (SELF-CENTRING) BONDED SEAL LIST

Issue	One
Date	Mar.11,1999
Page	8 of 8

THREAD SIZE M	SIZE REFERENCE	'd DIA +/-0.13	C DIA CENTRALISING LIP		'd _i DIA +/-0.10	D DIA +0.13	S +/-0.10
M10	708	10.70	8.05	-0/+0.25	12.40	16.08	1.50
1/8 BSP	820	10.37	8.26		11.84	15.88	2.00
1/4 BSP	821	13.74	11.18		15.21	20.57	2.00
3/8 BSP	823	17.28	14.76		18.75	23.80	2.00
1/2 BSP	825	21.54	18.24		23.01	28.58	2.47
5/8 BSP	826	23.49	20.27		24.97	31.75	2.47
3/4 BSP	827	27.05	23.83		28.53	34.93	2.47
7/8 BSP	829	30.81	27.51		32.29	38.10	2.47
1 BSP	830	33.89	29.92	-0/+0.37	36.88	42.80	3.40
1 1/4BSP	832	42.93	38.45		45.93	52.38	3.40
1 1/2BSP	833	48.44	44.45		51.39	58.60	3.40
1 3/4BSP	834	54.89	50.42		58.30	69.85	3.40
2 BSP	836	60.58	56.26		63.63	73.03	3.40
2 1/4BSP	838	66.68	62.36		69.98	79.50	3.40
2 1/2BSP	839	76.08	71.50		79.38	90.17	3.40
M8	866	8.70	6.40		-0/+0.25	10.40	14.00
M12	867	12.70	9.73	14.10		19.00	1.50
M14	868	14.70	11.38	16.40		22.00	1.50
5/8	869	16.51	12.90	18.75		25.40	2.00
M16	870	16.70	13.41	18.40		24.00	1.50
11/16	871	18.16	14.50	19.69		25.40	2.40
M18	872	18.70	14.76	20.40		26.00	1.50
M20	873	20.70	16.76	22.50		28.00	1.50
M22	874	22.70	18.74	24.40		30.00	2.00
M24	875	24.70	20.11	26.40		32.00	2.00